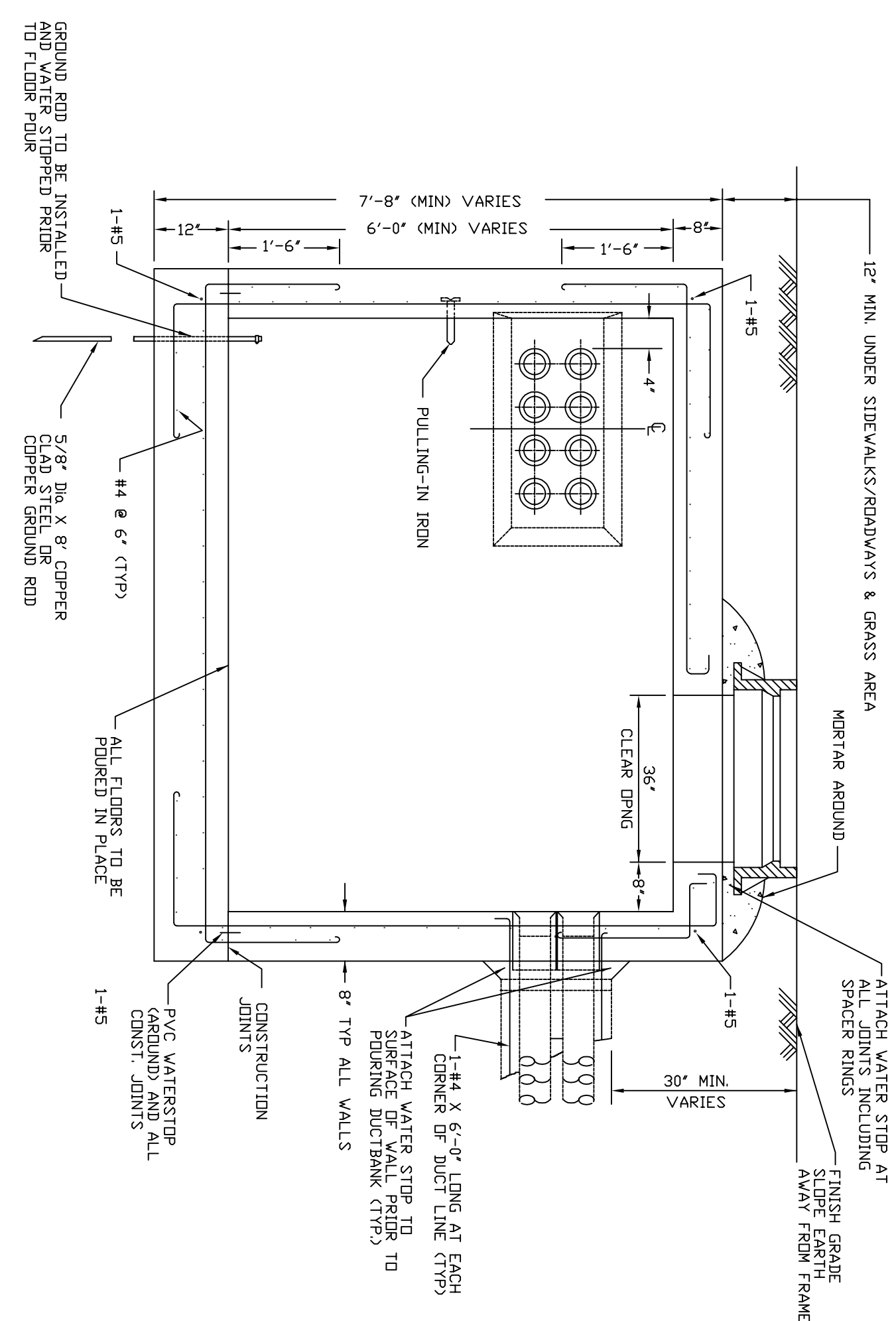
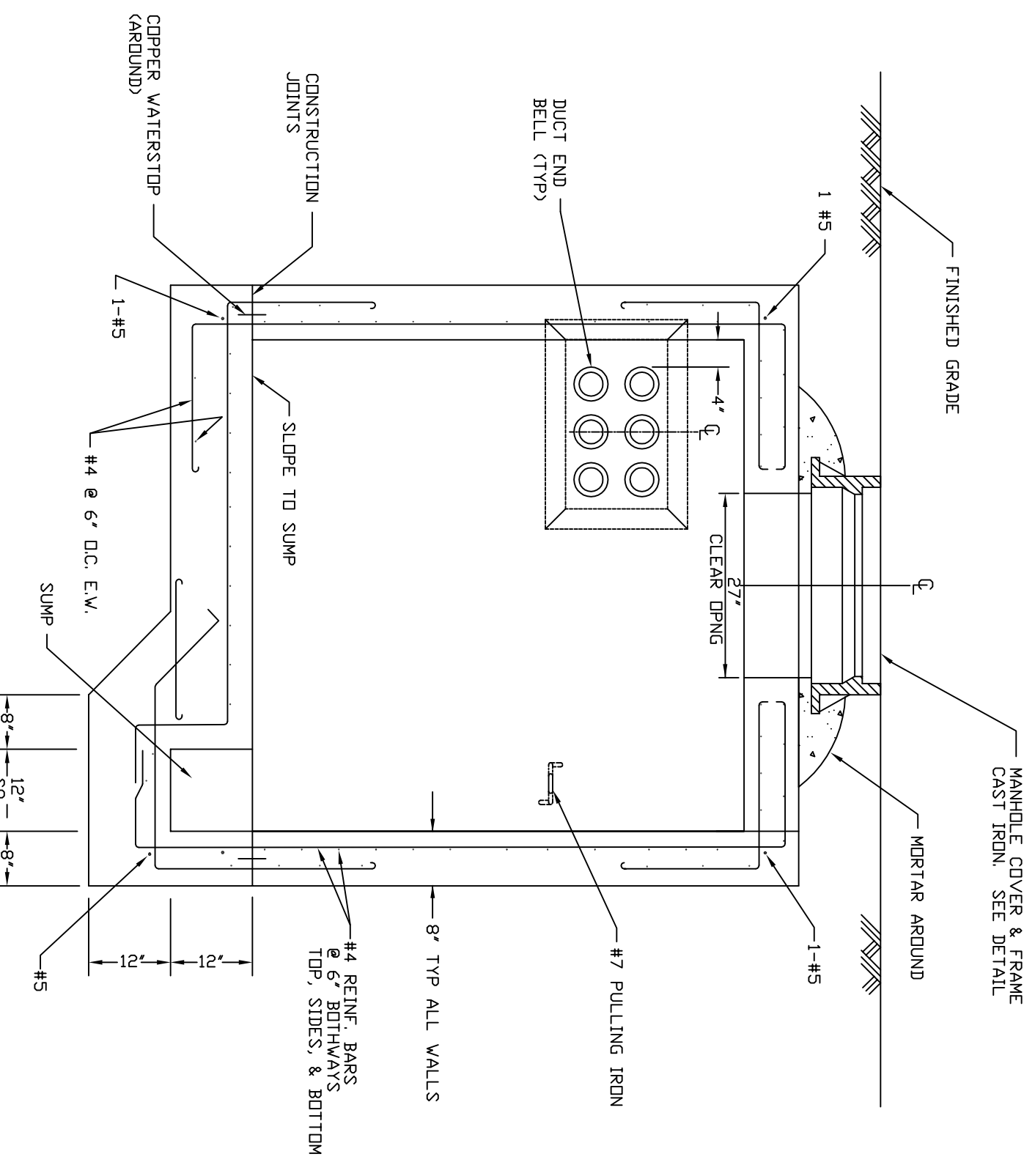


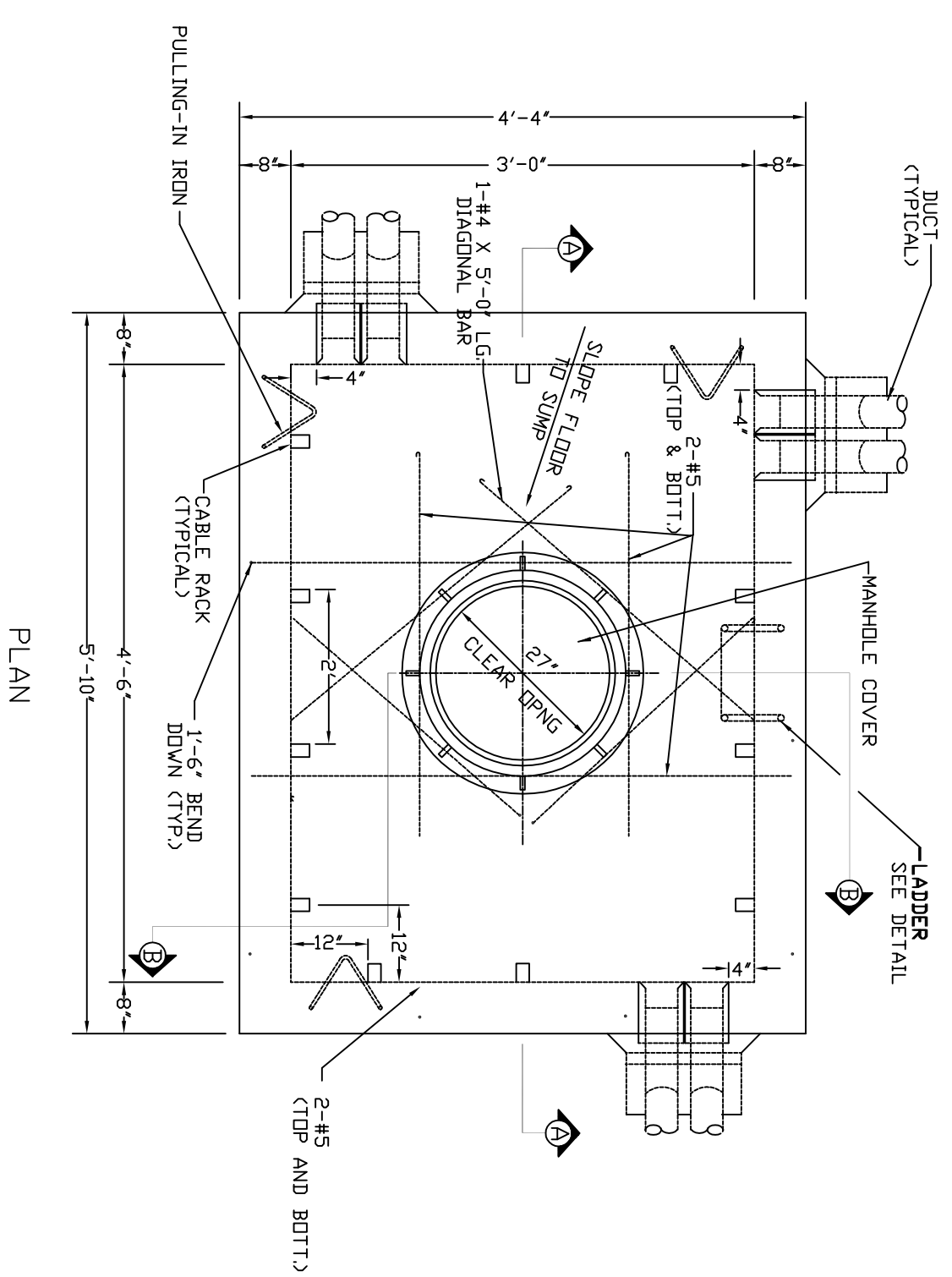
1 MANHOLE DETAIL - ELECTRIC  
NO SCALE



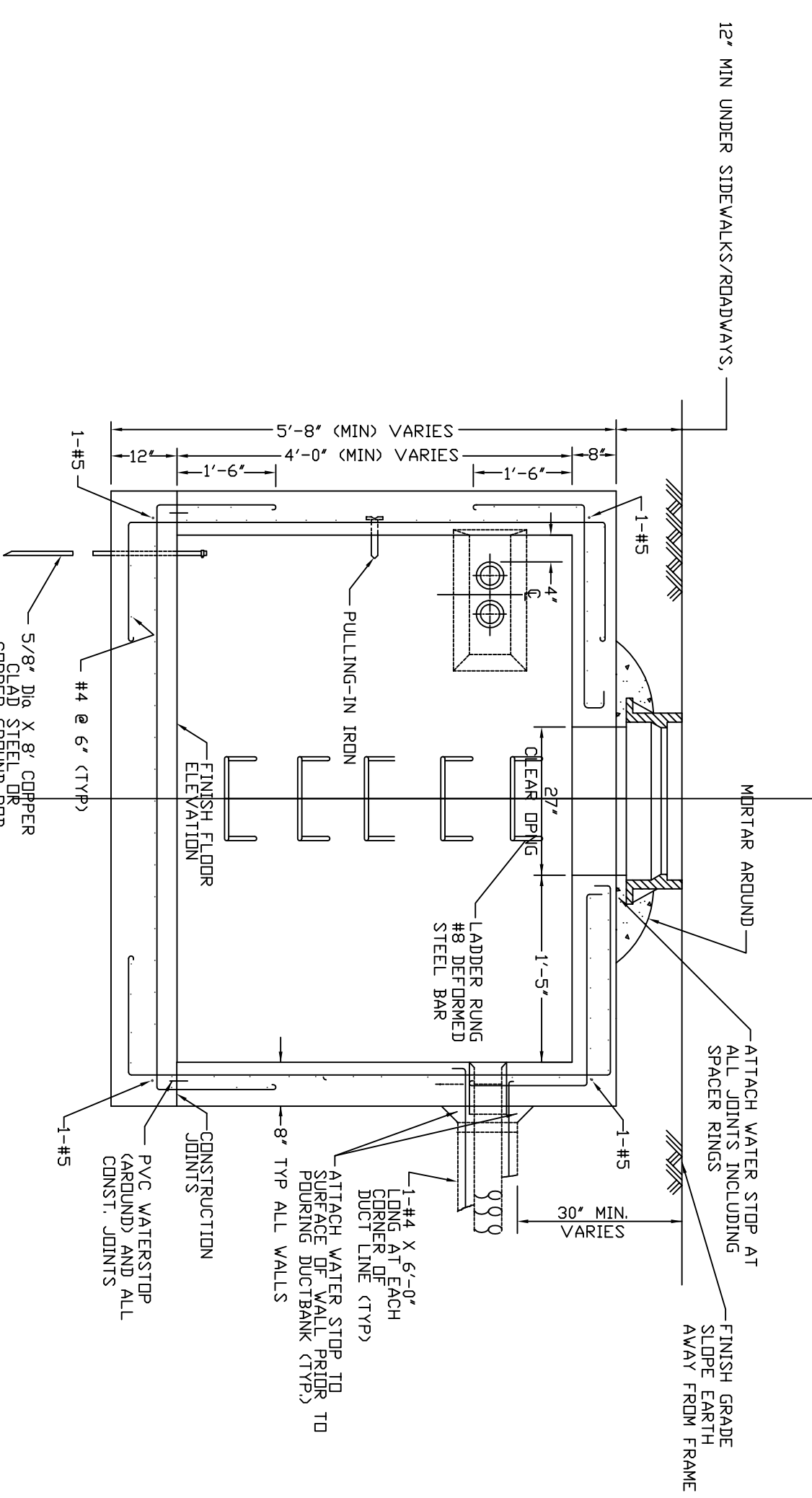
2 SECTION A-A MANHOLE DETAIL - ELECTRIC  
NO SCALE



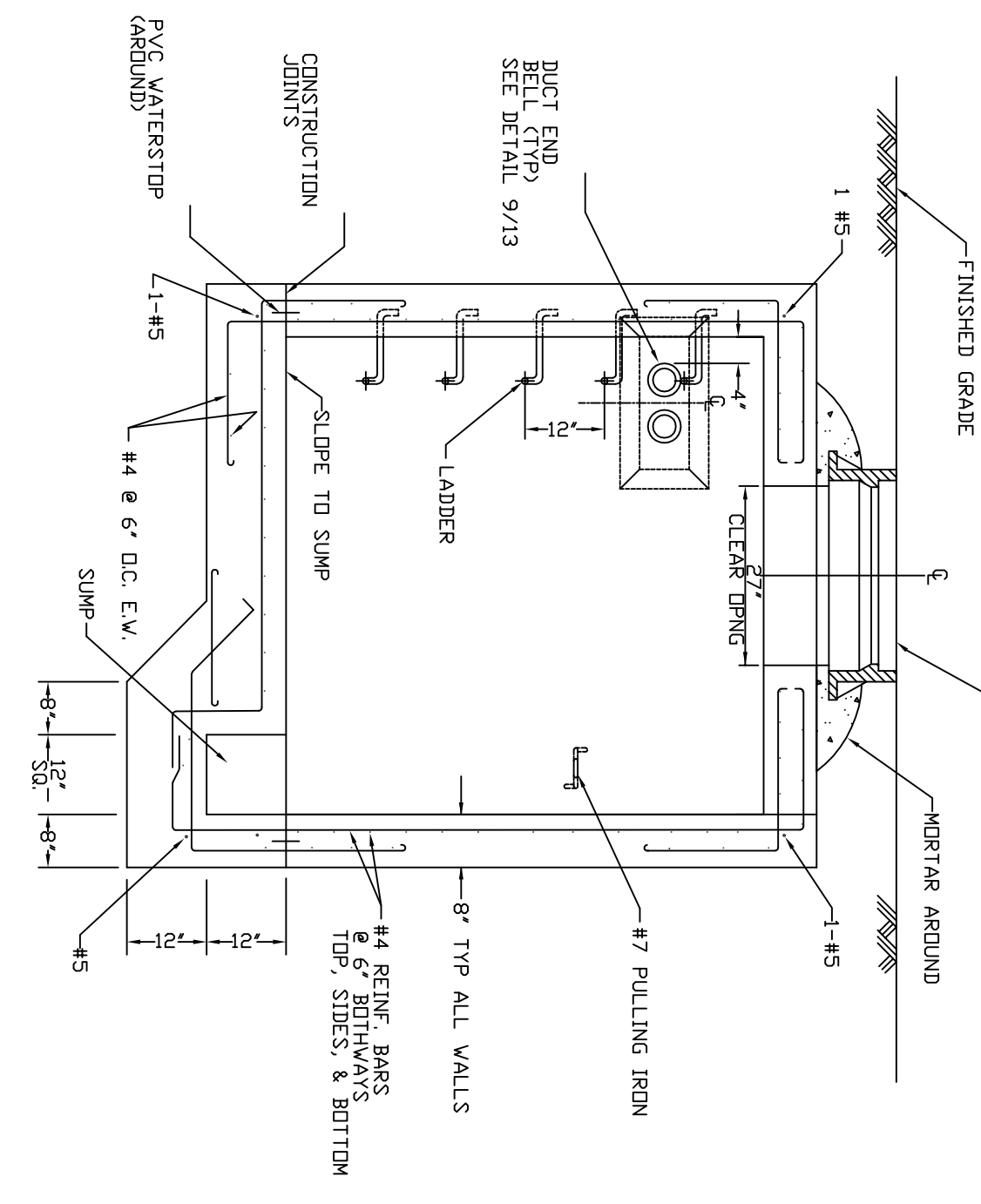
3 SECTION B-B MANHOLE DETAIL - ELECTRIC  
NO SCALE



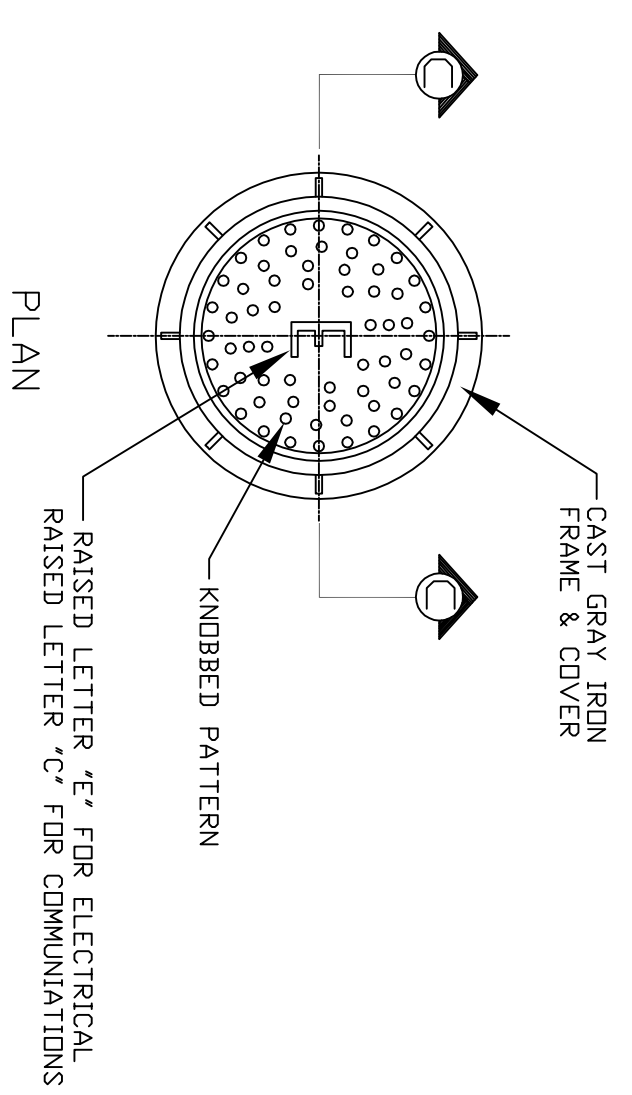
MANHOLE DETAIL - COMM  
NO SCALE



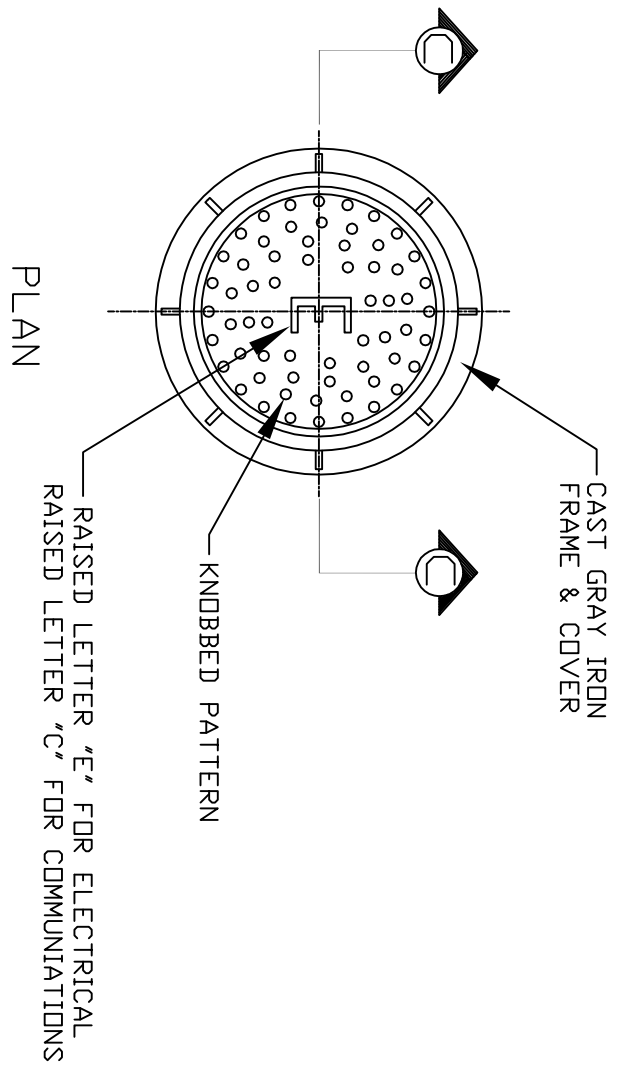
SECTION A-A MANHOLE DETAIL - COMM  
NO SCALE



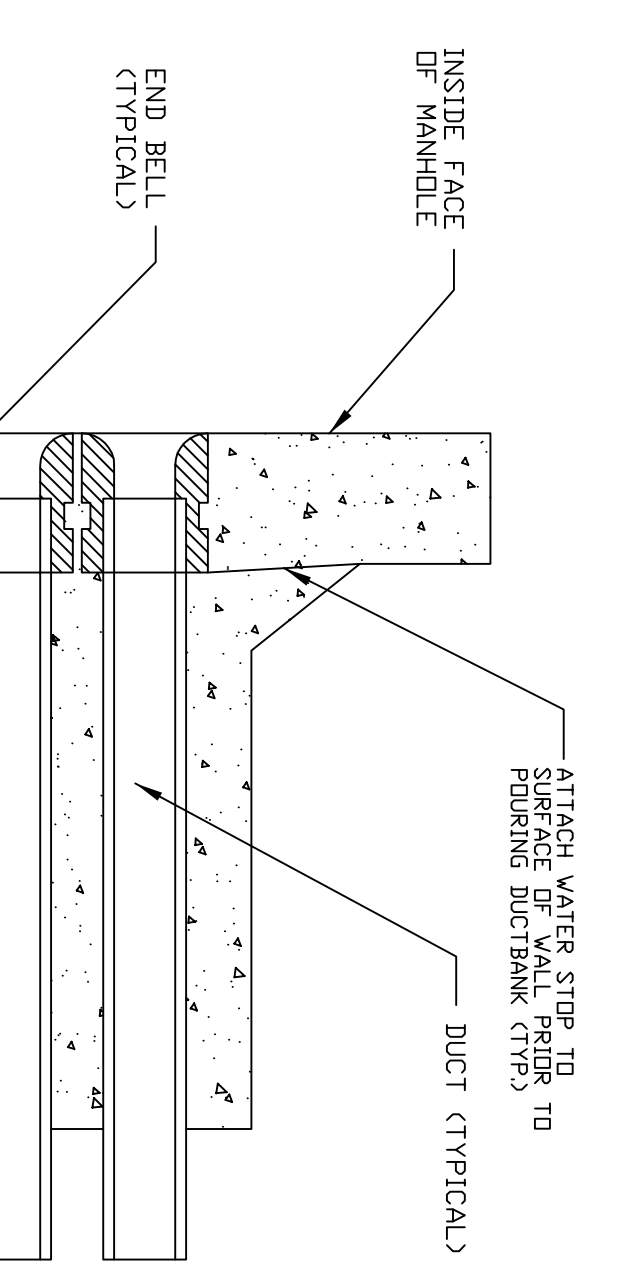
SECTION B-B MANHOLE DETAIL - COMM  
NO SCALE



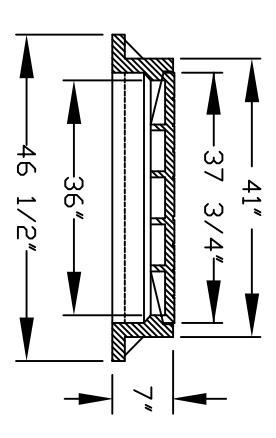
MANHOLE DETAIL - COMM  
NO SCALE



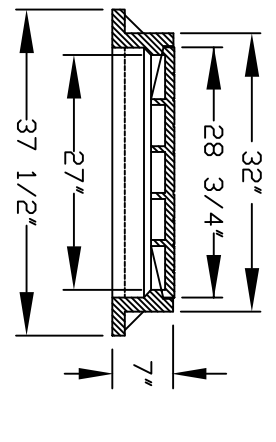
SECTION A-A MANHOLE DETAIL - COMM  
NO SCALE



TYPICAL DUCT WINDOW  
NO SCALE



SECTION C-C  
NO SCALE



SECTION C-C  
NO SCALE

HEAVY DUTY - 16,000 lb  
MIN. WHEEL LOADING  
NEENAH CAT. #R-1753

4 ELECTRICAL MANHOLE COVER DETAIL  
SCALE: NTS

HEAVY DUTY - 16,000 lb  
MIN. WHEEL LOADING  
NEENAH CAT. #R-1753

4 COMMUNICATION MANHOLE COVER DETAIL  
SCALE: NTS

HEAVY DUTY - 16,000 lb  
MIN. WHEEL LOADING  
NEENAH CAT. #R-1753

8 TYPICAL DUCT WINDOW  
NO SCALE

UNIVERSITY OF NORTHERN IOWA  
ENGINEERING SERVICES  
PHYSICAL PLANT BUILDING  
CEDAR FALLS, IOWA 50614-0197  
(319) 273-2611 FAX 273-6973

MANHOLE DETAILS WITHOUT LADDER  
SCALE 1/2" = 1'-0"  
REVISED August 2011

DATE 11-06 DRAWN SB CHECKED DMC # DRAWING STANDARDS/MD 101 1 of 1